

PILE TURNER

model series SWH - Automatic

Process acceleration due to complete automation

- » high pile throughput by programmable fully automatic operation
- » reinforced hydraulics
- » reproducible pile treatment by storable airing programs
- » motorised-pneumatic aligning gauge with paper recognition





PILE TURNER

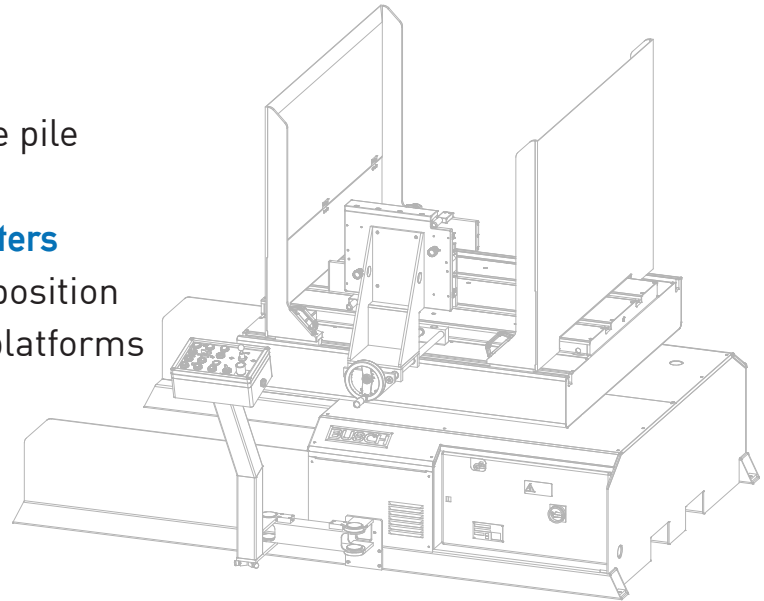
model series SWH Automatic

3 working cycles, selectable at the control desk

- » Turning the pile
- » Airing, aligning and jogging the pile
- » Airing, aligning, jogging and turning the pile

Adjustable and programmable airing parameters

- » Measure of platform opening in airing position
- » Number of air jet travels between the platforms
- » Air volume
- » Speed of air jets
- » Jogging intensity
- » Holding or compressing the pile



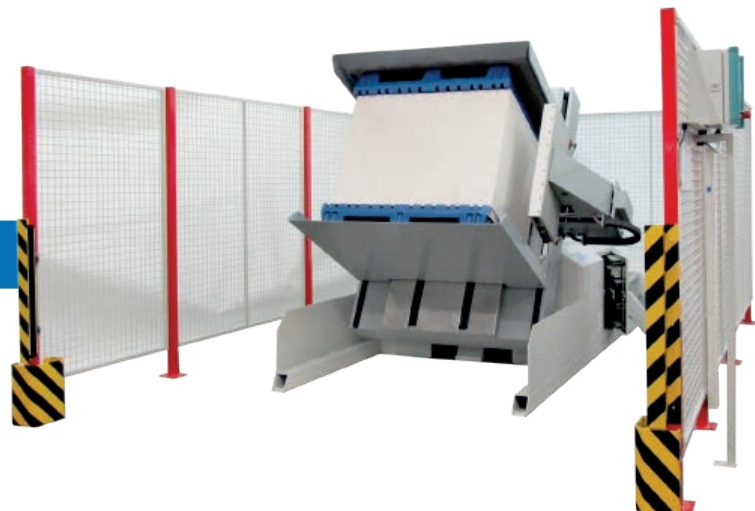
Working cycle automatic Pile Turner

SWH 125 RLA (175) - Automatic

1. Loading

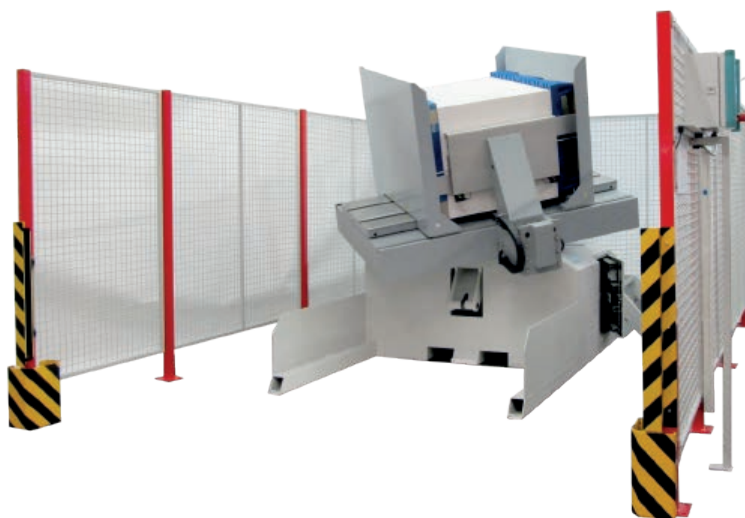


2. Lifting

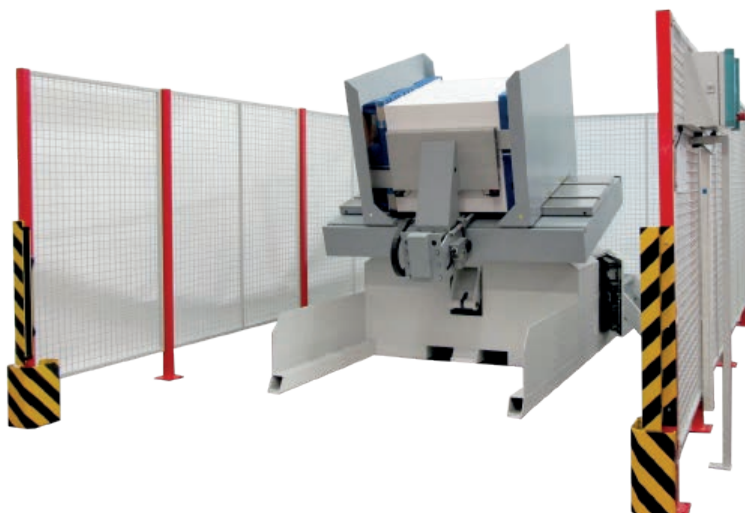


Equipment

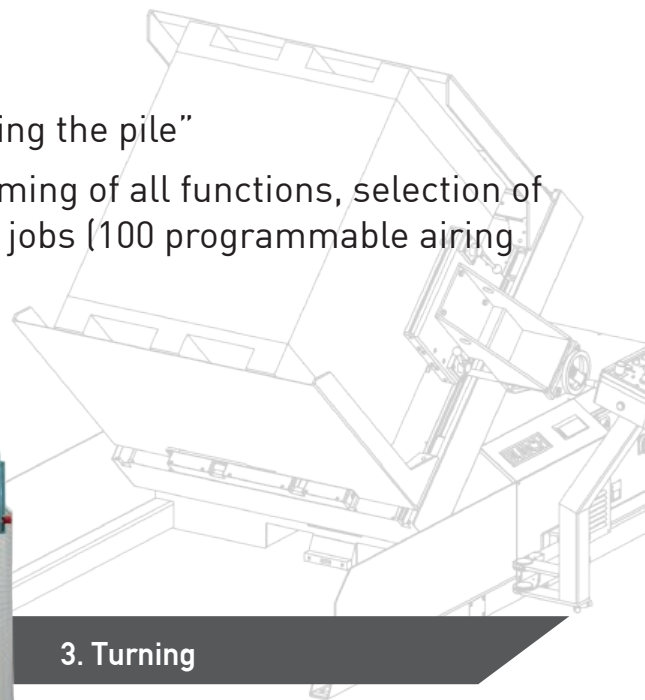
- » Fully automatic operation of all working cycles and airing programmes
- » Protective fences and light barriers
- » Faster hydraulics by increased output and proportional flow control valves
- » Powerful airing device
- » Pressure control flaps
- » Fully automatic motorised-pneumatic aligning gauge with paper recognition
- » Jogging device
- » Regulation of air volume at the control desk
- » Adjustment for "holding the pile" or "compressing the pile"
- » Touch-screen-display for comfortable programming of all functions, selection of working cycles, programme memory for repeat jobs (100 programmable airing programmes) and indication of error messages



3. Turning



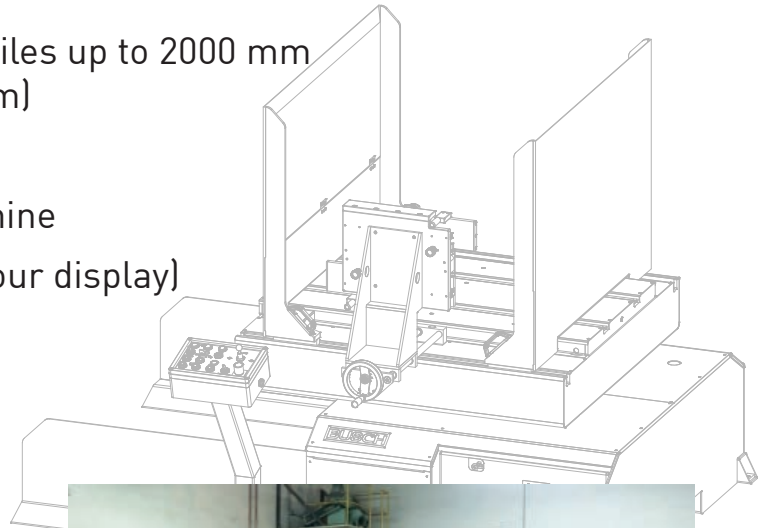
4. Airing, Aligning, Jogging





OPTIONS

- » Enlarged opening width for higher piles up to 2000 mm (min. pile height, incl. pallet: 980 mm)
- » Ionised air
- » Catwalk at the rear side of the machine
- » Additional control panel (4 inch, colour display)



SWH 155 RLA - Automatic



SWH 180 RLA (200) - Automatic

Technical data		SWH 125 RLA (175) Automatic	SWH 155 RLA Automatic	SWH 180 RLA Automatic
Max. sheet size	mm	800 x 1200	1060 x 1450	1220 x 1650
Min. sheet size	mm	460 x 400	540 x 600	540 x 600
Max. pile height (incl. pallet)	mm	1750	1600 (2000*)	1600 (2000*)
Min. pile height (incl. pallet)	mm	930	870 (980*)	870 (980*)
Platform width	mm	1250	1550	1800
Number of air jets		2	4	4
Carrying power	kg	1200	1800	1900

*Option: Enlarged opening width up to 2000 mm (min. pile height: 980 mm)

